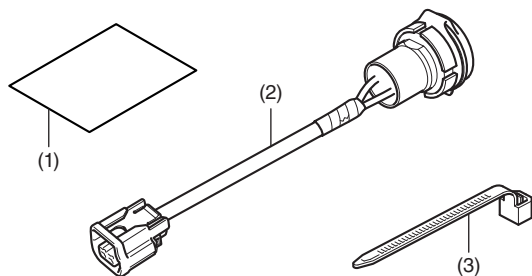


**Honda Dealer: Please give a copy of these instructions to your customer.**

## PARTS LIST



No.	Description	Qty
(1)	Installation Instruction URL	1
(2)	Accessory socket	1
(3)	Wire tie	1

## TORQUE CHART

Refer to the Service Manual for the torque values of the removed parts.

## INSTALLATION

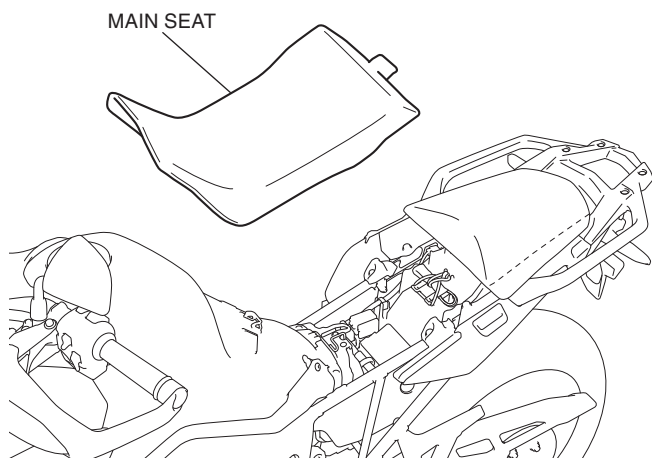
### ▲ CAUTION

- To prevent burns, allow the engine, exhaust system, radiator, etc., to cool before installing the accessory.

### NOTE:

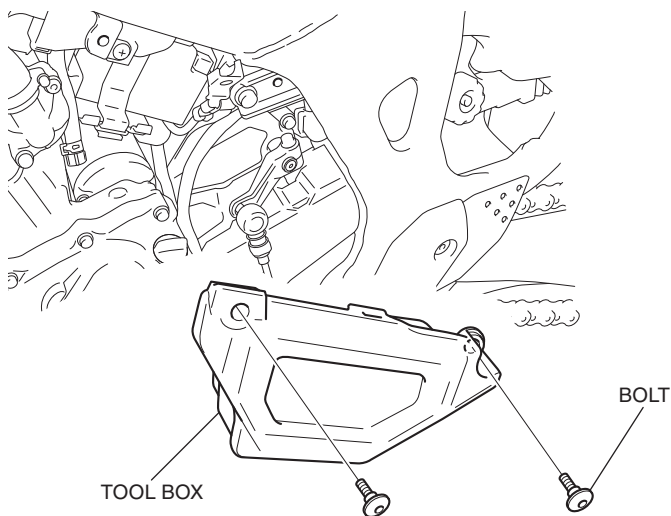
- Disconnect the negative (-) cable from the battery before installing this accessory.
- The memory of the clock will be erased when you disconnect the battery. Reset the clock after reconnecting the battery.
- Reinstall the removed parts on the motorcycle and make sure that the wires and harnesses are not pinched.

1. Remove the main seat as shown.



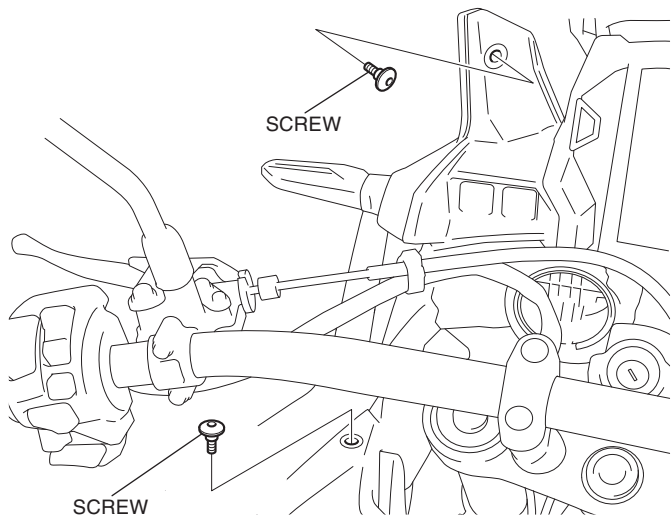
2. Remove the tool box and disconnect the negative (-) cable of the battery.

<Left side>



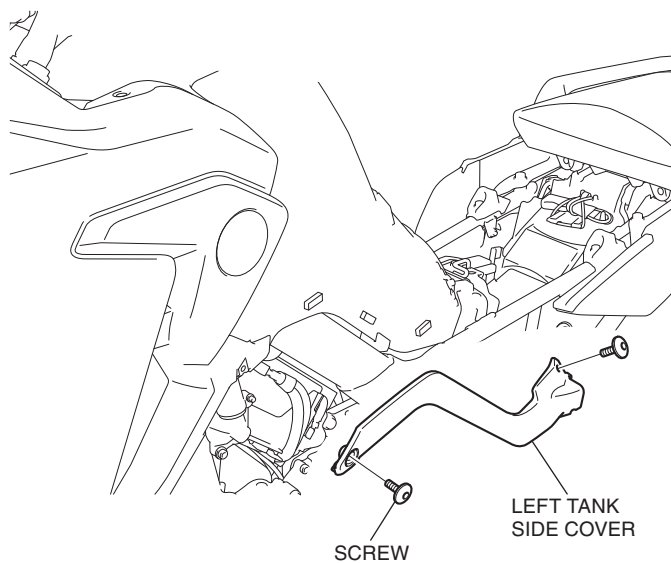
3. Remove the screws as shown.

<Left side>

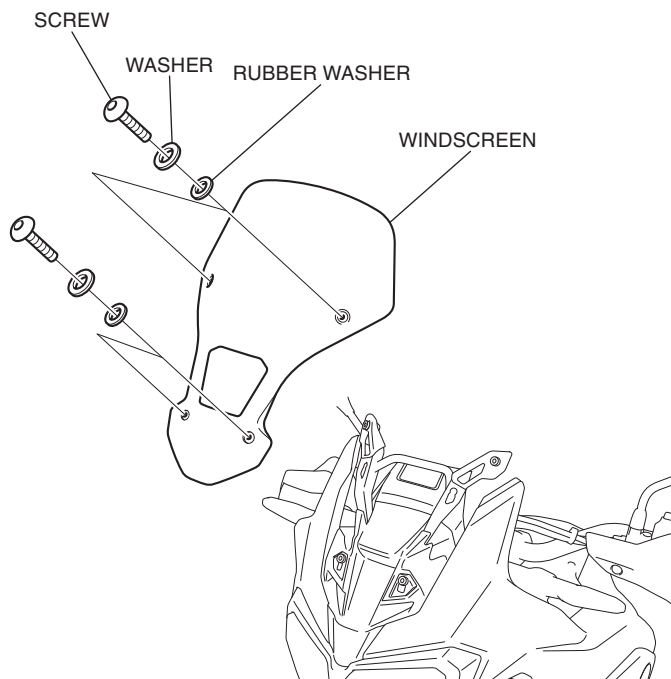


4. Remove the left tank side cover as shown.

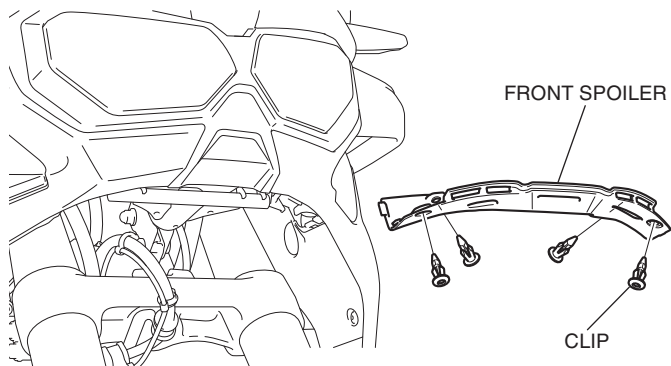
<Left side>



5. Remove the windscreen as shown.



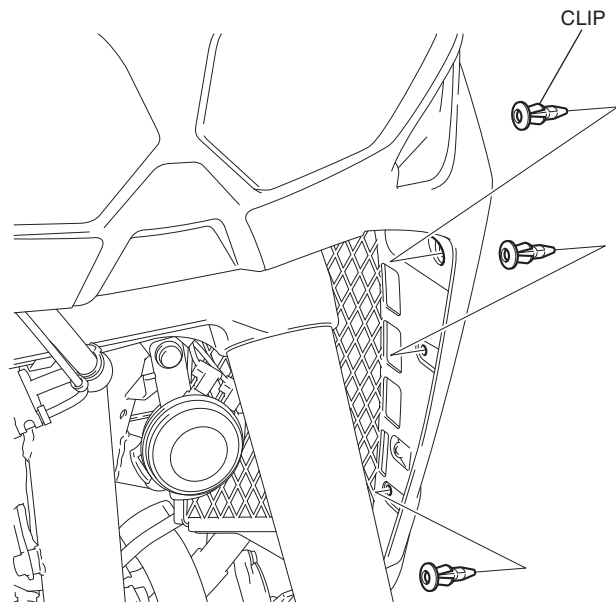
6. Remove the front spoiler as shown.



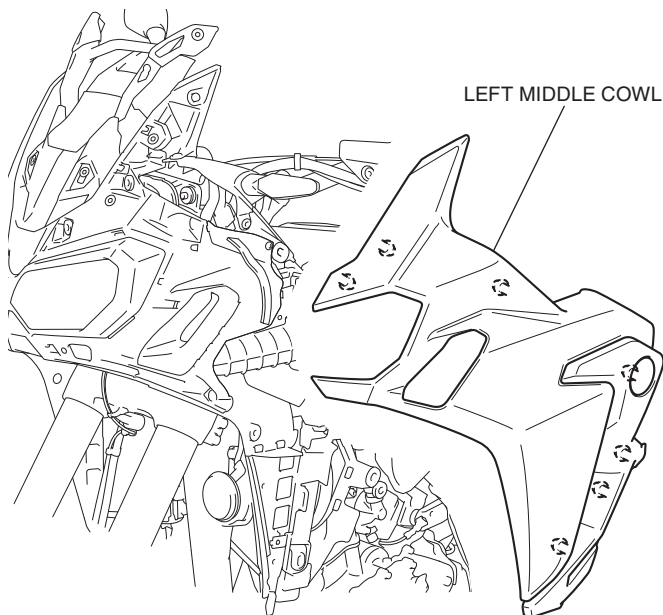
7. Remove the clips as shown.

- Repeat on the right side.

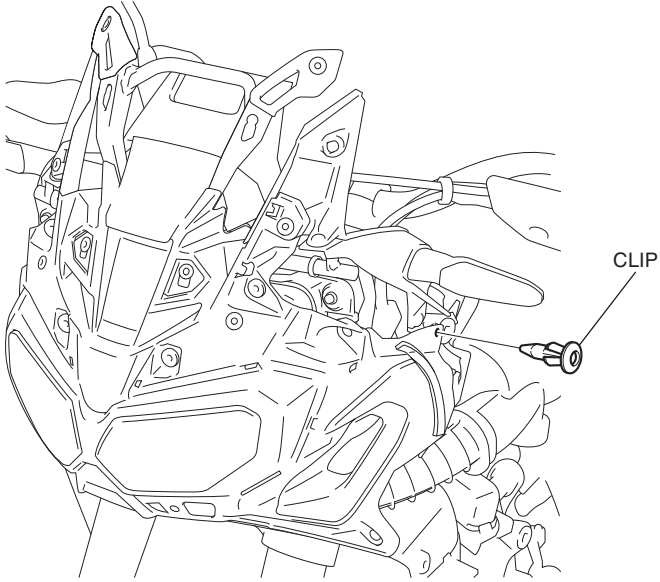
<Left side>



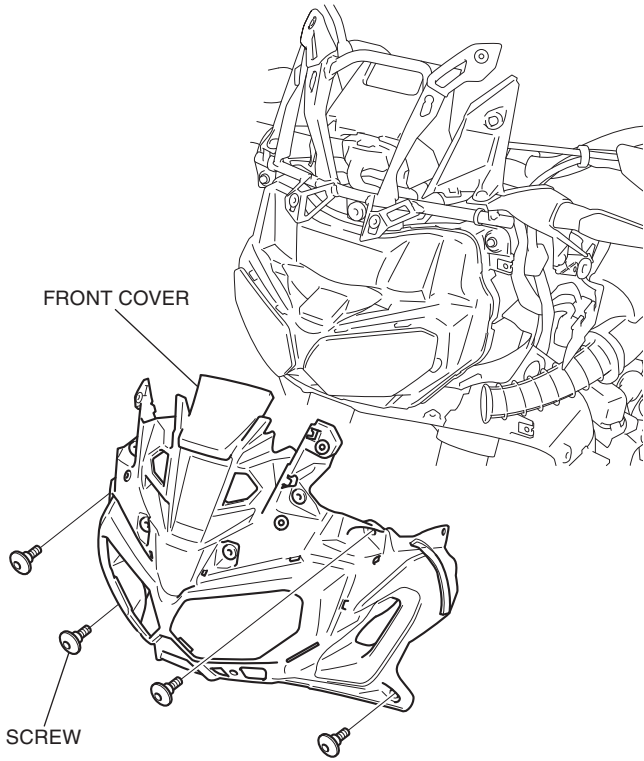
8. Remove the left middle cowl as shown.



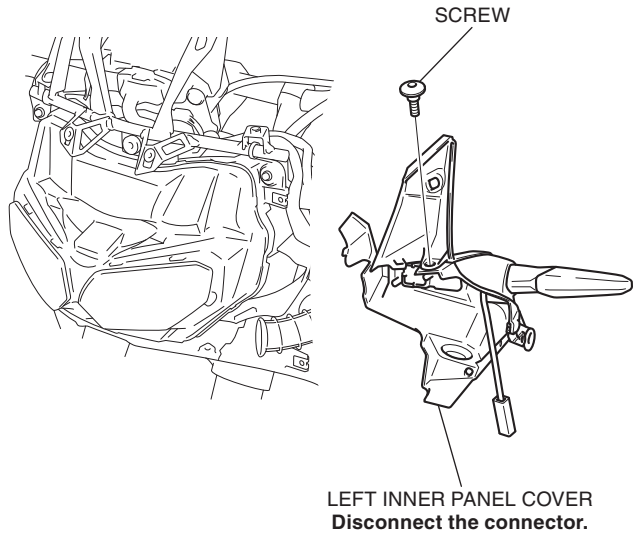
9. Remove the right tank side cover and right middle cowl in the same manner.
10. Remove the clip as shown.
  - Repeat on the right side.



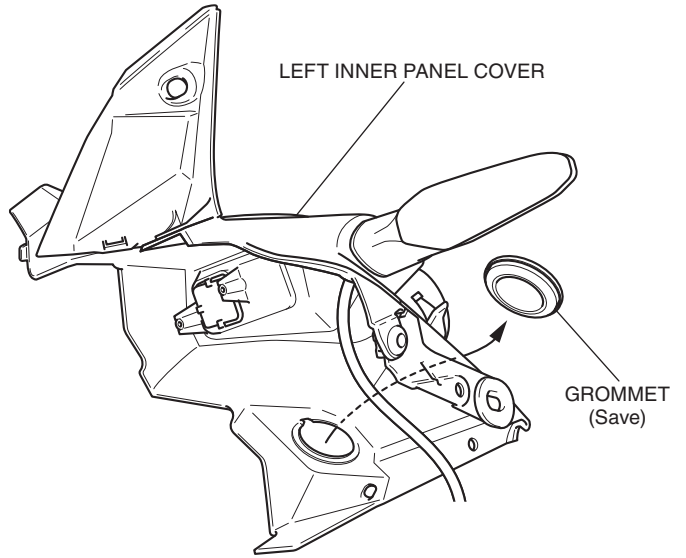
11. Remove the front cover as shown.



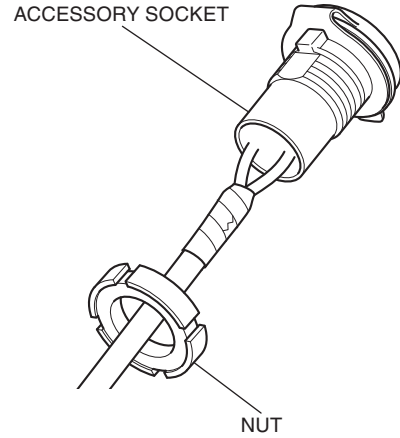
12. Remove the left inner panel cover as shown.



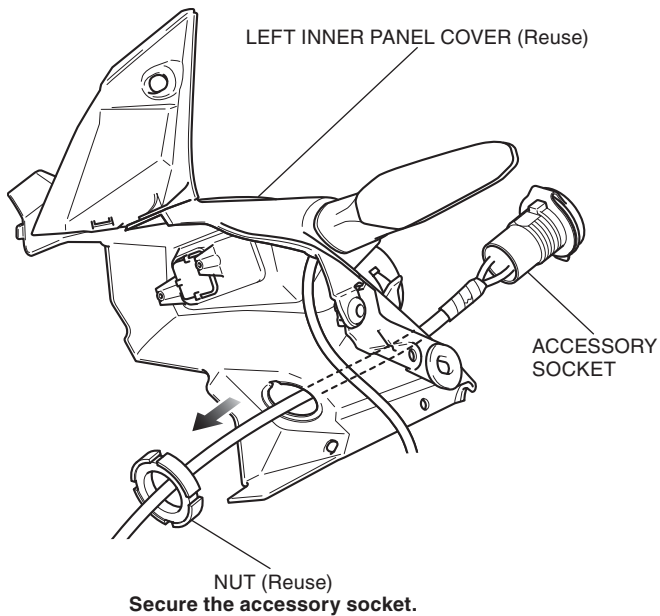
13. Remove the grommet as shown.



14. Remove the nut as shown.

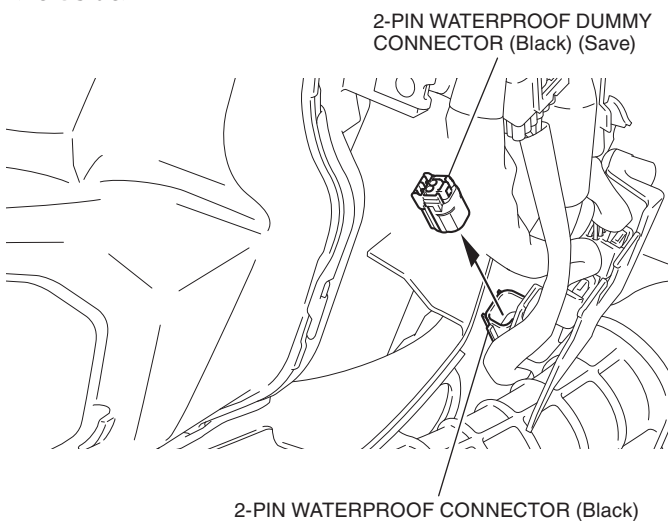


15. Install the accessory socket as shown.



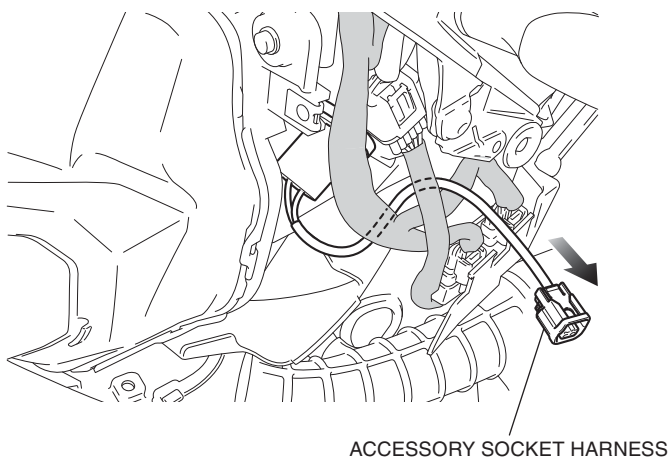
16. Remove the dummy connector as shown.

<Left side>

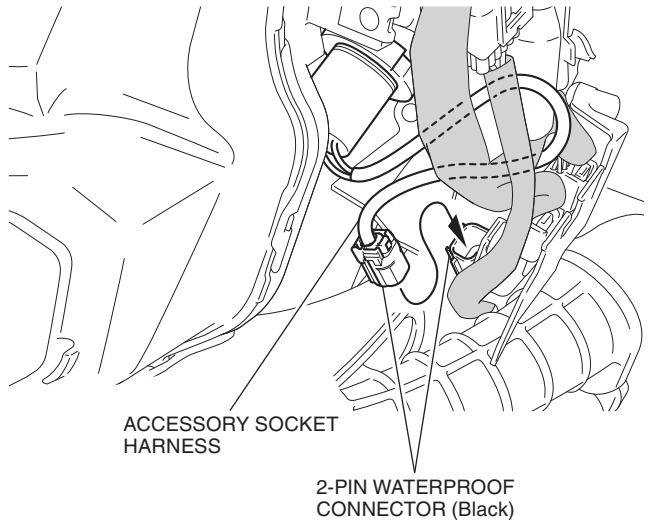


17. Route the accessory socket harness as shown, and install the left inner panel cover in the reverse order of removal.

<Left side>

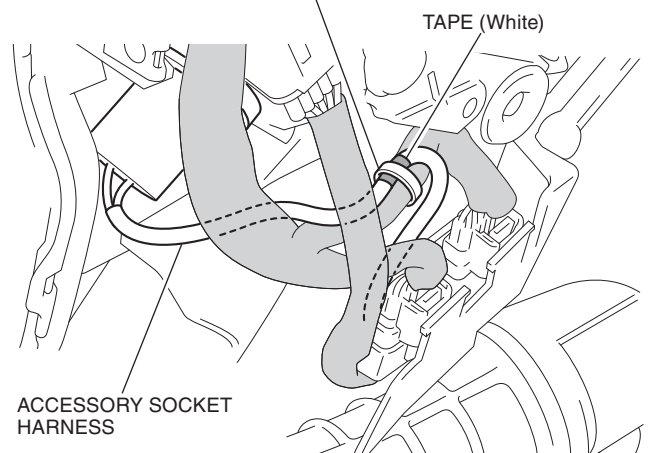


18. Route and connect the accessory socket harness as shown.



19. Secure the accessory socket harness using the wire tie as shown.

WIRE TIE  
Secure the accessory socket harnesses to the motorcycle's harness.



20. Install the motorcycle's parts in the reverse order of removal.

21. Check the accessory socket, headlight and the other lights for proper operation.