



MANUAL Chain tool AFAM EASY RIV 5



SMALL AND HANDY TOOL TO RIVET CHAINS.

PUSH ON THE SIDE PLATE

This tool makes it easy to push the side plate onto the pins of your rivet link. Appropriate for connecting links with spring clip and for rivet links with hollow or plain pins.

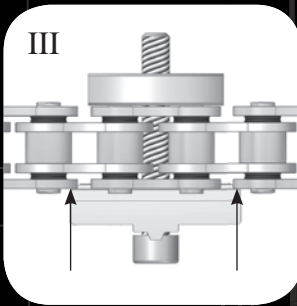
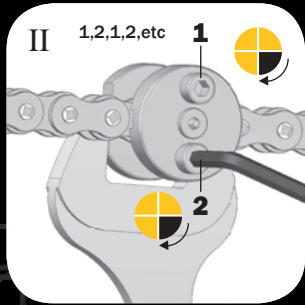
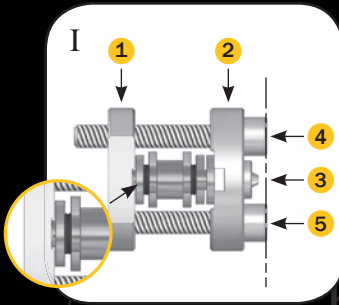
INDICATOR FOR THE RIGHT DISTANCE

It will push the side plates to the right distance to ensure the right pressure on the seal rings.

RIVETING OF HOLLOW PINS

Effortlessly rivet hollow pin connecting links. Connecting links with a small hole in the pin top.

Directions for use



- >> The 'EASY RIV 5' contains 4 parts, a support plate (1), a push plate (2) on the other side the rivet point (3) and two bolts (4) et (5) (drawing I).
- >> **IMPORTANT!** Before mounting the connecting link, thoroughly grease the pins and the seal rings from the connecting link with chain grease. To make it easier to install the connecting link, put the two ends of the chain around the rear sprocket, fit the connecting link and seals and pack the chain link with chain grease! Now use pliers to guide the loose side plate of the connecting link onto the pins. Always use the pliers on the pins and never in the middle of the plate. When the chain holds together turn the chain until the connecting link is in the middle of the chain run between front and rear sprocket.
- >> Now fit the chain tool so that the support plate (1) is on the back of the link and the push plate (2) is pushing on the loose side plate of the link. This way the two cutaways of the plates should both be pointing inwards and should be facing each other.

Next screw in the bolts (4) & (5) and tighten the bolts so that the pins are aligned into the cut-away of support plate (1) and push plate (2) (**drawing I**). Eventually use a 30 mm spanner to hold the support plate and tighten on push the plate (1) (**drawing II**) by tightening the two bolts (4) and (5) (hex key 5 mm). Progressively tighten each bolt a quarter of a turn at a time and alternate between the two bolts so that the side plate is guided smoothly onto the pins. Continue until the extreme edges of the push plate (2) touch the neighbour side plates of the chain. Now the side plate of the connecting link has exactly the right distance compared to the other links of the chain and ensures the right pressure on the joints (**drawing III**).

Unscrew the bolts (4) and (5) and take the device off. If your link has a pressed side plate with a spring clip link, you can now install the spring clip making sure that the closed side of the clip is pointed into the drive direction.

- >> For rivet style links with a hollow pin, you have to turn the push plate (2) around and rivet the chain link. To rivet the chain, put the point (3) of the push plate precisely into the hole of the pin top. Tighten the bolts (4) and (5) progressively and again alternating between the two bolts with a quarter of a turn at a time until the riveting is done (**drawing IV**). Repeat this procedure on the second pin.

After installing the rivet link, check that the connecting link moves just as freely as all the other links of the chain and is not fitted too tight.

Incorrect fitting can lead to premature wear and even failure. If you have any doubt about the links fitting, please consult a professional engineer or mechanic!



ENJOY YOUR RIDE

www.afam.com