

# LITHIUM

LiFePO4

LITHIUM (LiFePO4) | High Performance

REF **BSLi-03**



**12V** VOLTAGE

**36Wh** ENERGY

**210A** CCA

### TECHNOLOGY

- Lithium Iron Phosphate cells construction
- Pre-charged batteries
- Homologated by OEM

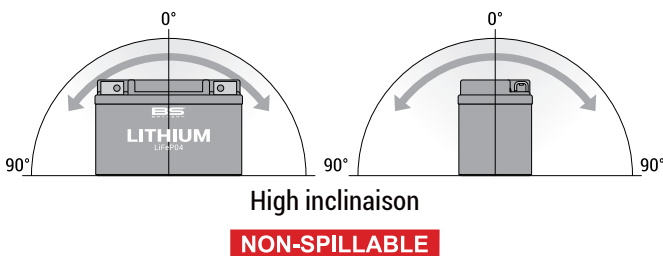
### FEATURES

- Fast charging
- Multi-positioning mounting
- Very safe and environmental friendly
- Extensive cycle life: over 2000 cycles
- Very low self-discharge
- Cold temperature performance
- Waterproof design
- Ready to use: just plug and play
- Robust brass terminals
- Heat resistance: up to 230 C°
- Lighter weight

### REPLACEMENTS

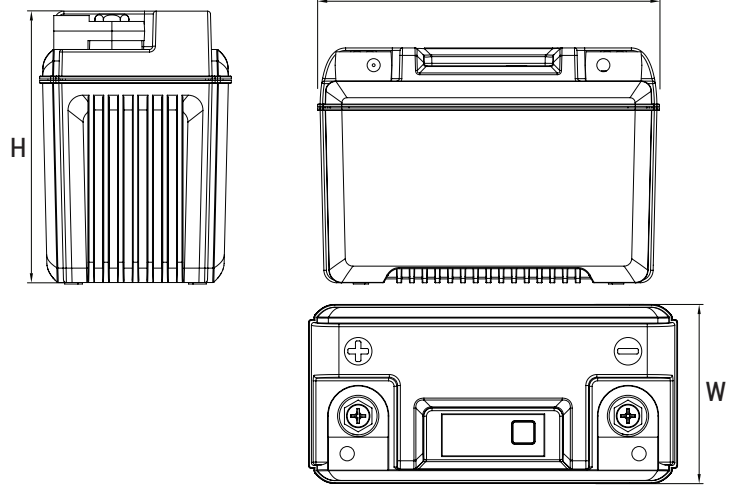
BT7B-4	BTX7A-BS	BTX9-BS
BT9B-4	BT7B-BS	BB9-B
BTX7A	BT9B-BS	12N9-4B-1

### MOUNTING ANGLE



### DIMENSIONS & WEIGHT

Length (L): 134±1mm  
 Width (W): 65±1mm  
 Height (H): 92±2mm  
 Weight: 0.78kg (tolerance ±3%)



### TERMINALS

